

ASUNA

ASUNA 7700
HI-PERFORMANCE
CARDIO TRAINER



Owner's Manual
Made in China

INDEX

IMPORTANT SAFETY INFORMATION.....	1
EXPLODED DIAGRAM.....	2
PARTS LIST.....	3
TOOLS & HARDWARE.....	3
ASSEMBLY INSTRUCTIONS.....	4
FOLDING INSTRUCTIONS.....	5
MOVING INSTRUCTIONS.....	6
ADJUSTMENTS GUIDE.....	6-7
LUBRICATION.....	8



ATTENTION:

Please verify that all parts associated with this product are in good condition and accounted for. During the assembly process, please be sure to follow each step accordingly, as it has been explained within this manual.

WARNING: During assembly, it is recommended that all bolts be tightened by hand. Upon completing assembly, bolts should be secured using the wrench provided. To avoid injury, check bolts carefully before use.

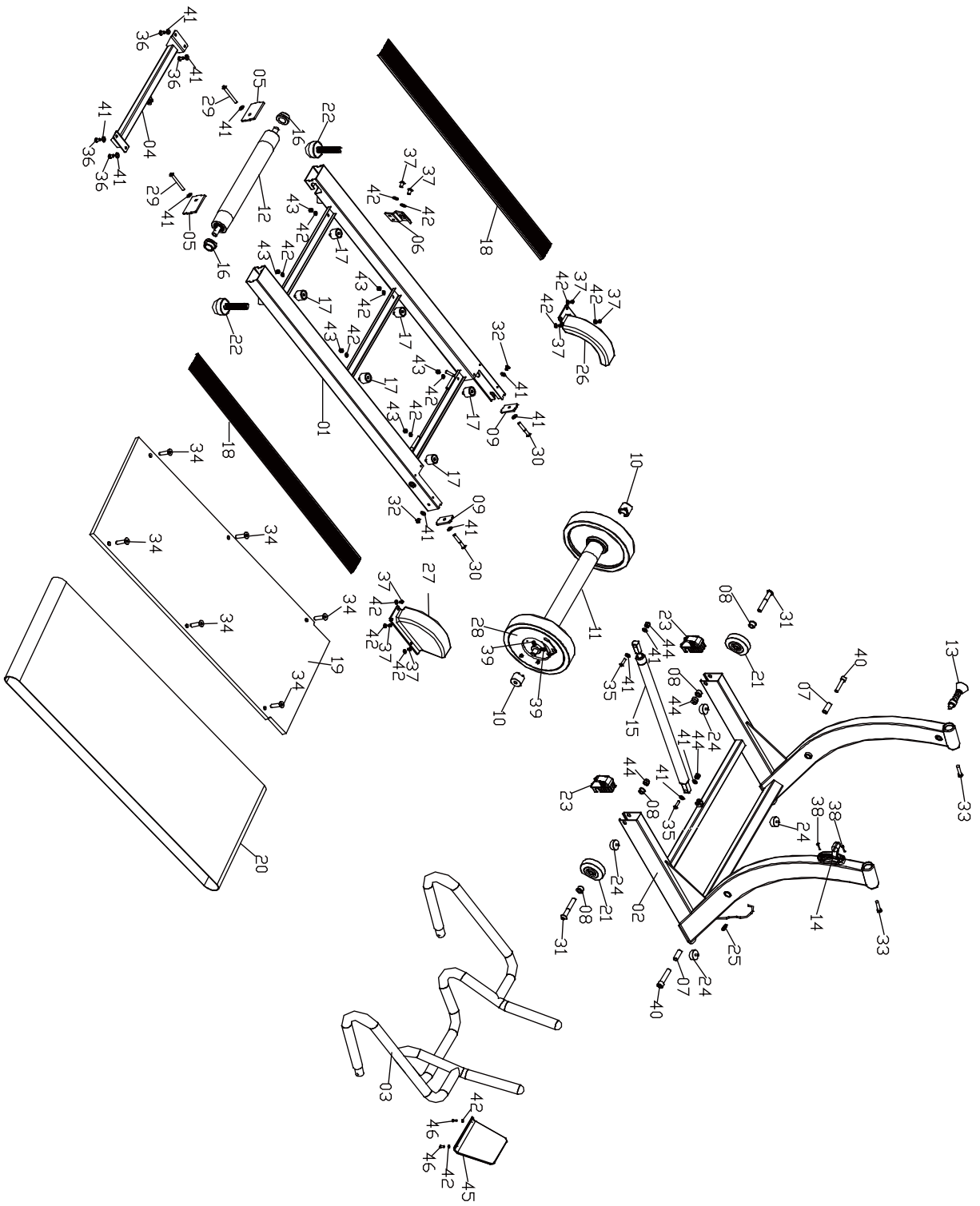
IMPORTANT: Read all instructions carefully before using this product. Retain owner's manual for future reference. For customer service, please contact: support@sunnyhealthfitness.com

IMPORTANT SAFETY INFORMATION

We thank you for choosing our product. To ensure your safety and health, please use this equipment correctly. It is important to read this entire manual before assembling and using the equipment. Safe and effective use can only be achieved if the equipment is assembled, maintained, and used properly. It is your responsibility to ensure that all users of the equipment are informed of all warnings and precautions.

1. Before starting any exercise program, you should consult your physician to determine if you have any medical or physical conditions that could put your health and safety at risk or prevent you from using the equipment properly. Your physician's advice is essential if you are taking medication that affects your heart rate, blood pressure, or cholesterol level.
2. Be aware of your body's signals. Incorrect or excessive exercise can damage your health. Stop exercising if you experience any of the following symptoms: pain, tightness in your chest, irregular heartbeat, shortness of breath, lightheadedness, dizziness, or feelings of nausea. If you do experience any of these conditions, you should consult your physician before continuing with your exercise program.
3. Keep children and pets away from the equipment. The equipment is designed for adult use only.
4. Use the equipment on a solid, flat level surface with a protective cover for your floor or carpet. To ensure safety, the equipment should have at least 8 feet (240CM) of free space behind it and 2 feet (60CM) on each side. Do not place the treadmill on any surface that blocks air openings. To protect the floor or carpet from damage, place a mat under the treadmill.
5. Ensure that all nuts and bolts are securely tightened before using the equipment. The safety of the equipment can only be maintained if it is regularly examined for damage and/or wear and tear.
6. Always use the equipment as indicated. If you find any defective components while assembling or checking the equipment, or if you hear any unusual noises coming from the equipment during exercise, discontinue use of the equipment immediately and do not use until the problem has been rectified.
7. Wear suitable clothing while using the equipment. Avoid wearing loose clothing that may become entangled in the equipment.
8. Do not place fingers or objects into the moving parts of the equipment.
9. The maximum weight capacity of this unit is 220 pounds (100 KG).
10. The equipment is not suitable for therapeutic use.
11. To avoid bodily injury and/or damage to the product or property, proper lifting and moving are required.
12. Your product is intended for use in cool and dry conditions. You should avoid storage in extreme cold, hot or damp areas as this may lead to corrosion and other related problems.
13. This equipment is designed for indoor and home use only; it is not intended for commercial use!

Exploded Diagram






Parts List

NO.	DESCRIPTION	SPEC.	QTY
1	Main Frame		1
2	Base Frame		1
3	Handrail		1
4	Connecting Tube Seat		1
5	Rear Roller Cover		2
6	Bolt Pinch Plate		1
7	Sleeve	16*Φ12*40L	2
8	Small Sleeve	Φ15*8.2*9.5L	4
9	Front Roller Cover		2
10	Front Axis Sleeve		2
11	Front Roller		1
12	Rear Roller		1
13	Three-in-one Bolt		1
14	Tension Switch		1
15	Cylinder		1
16	Nylon Sleeve		2
17	Cushion		6
18	Side Rail		2
19	Running Board		1
20	Running Belt		1
21	Transportation Wheel		2
22	Feet Cushion		2
23	Transportation Wheel Stopper		2
24	Flat Mat		4

NO.	DESCRIPTION	SPEC.	QTY
25	Wire Plug		1
26	Left Cover		1
27	Right Cover		1
28	Magnetic Box		1
29	Screw	M8*70	2
30	Screw	M8*40	2
31	Screw	M8*55 thread length 25mm	2
32	Screw	M8*10	2
33	Screw	M8*70 thread length 45mm	2
34	Screw	M6*25	6
35	Screw	M8*30	2
36	Screw	M8*15	4
37	Screw	M6*15	8
38	Screw	M5*30	2
39	Screw	M6*20	2
40	Screw	M12*55 thread length 30mm	2
41	Washer	Φ8.5*Φ16*T1.5	14
42	Washer	Φ8.5*Φ16*T1.5	16
43	Nut	M6	6
44	Nut	M8	4
45	Tablet Bracket		1
46	Screw	M6*20	2
47	Allen Wrench		1

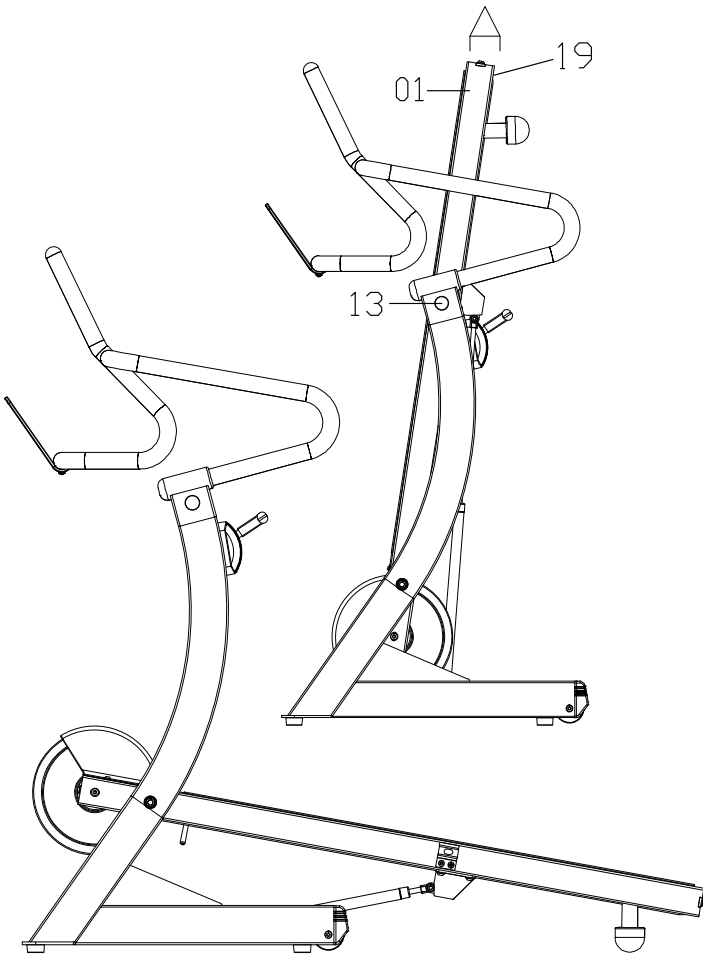
Tools & Hardware

	#46	M6*20	2 PCS
	#42	Φ6.5*Φ12*T1.5	2 PCS
	#47	5MM	1 PC

Assembly Instructions

STEP 1:

Make sure the area on the floor is clear. Hold the position A of **Main Frame (No. 1)**, then pull the **Three-In-One Bolt (No. 13)** to release the **Running Board (No. 19)**. Slowly lower the **Running Board (No. 19)** to the floor.

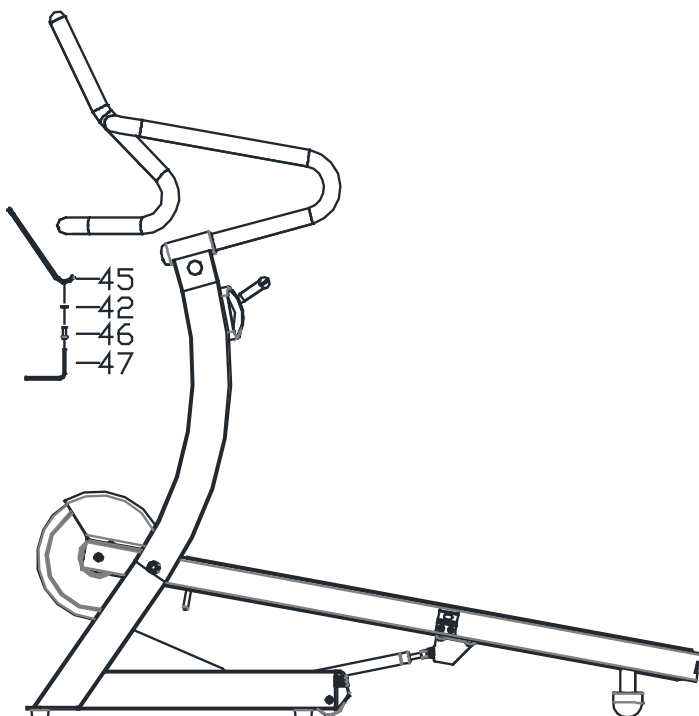


STEP 2:

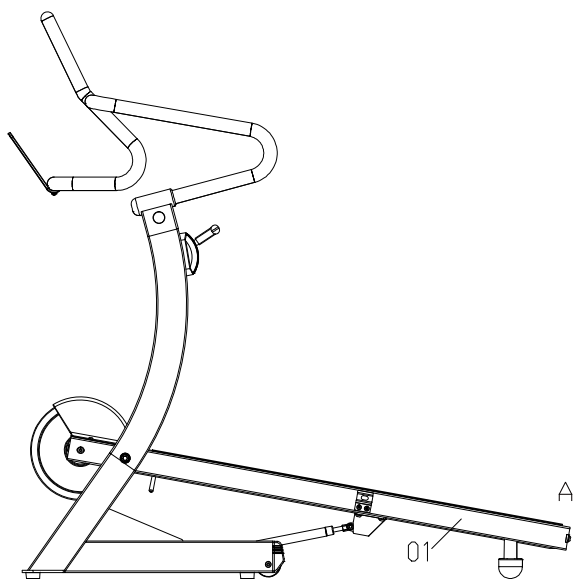
Assemble **Tablet Bracket (No. 45)** with 2 **Washers (No. 42)** and 2 **Screws (No. 46)**. Tighten and secure using **Allen Wrench (No. 47)**.

Note: The treadmill must be lubricated before first use. See page 8 for lubrication instructions.

The assembly is complete!

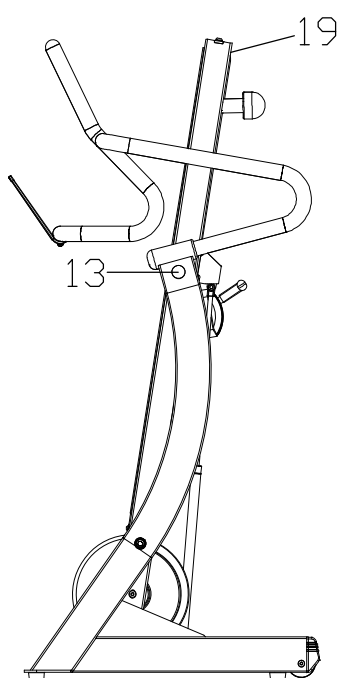
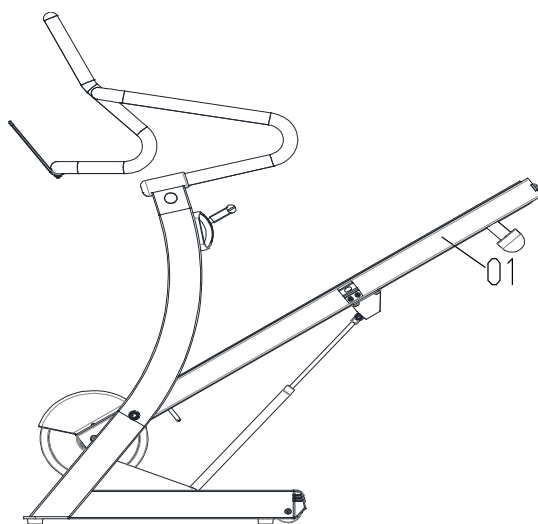


Folding Instructions



Hold the bottom of the **Main Frame (No. 1)** at Position A and lift up.

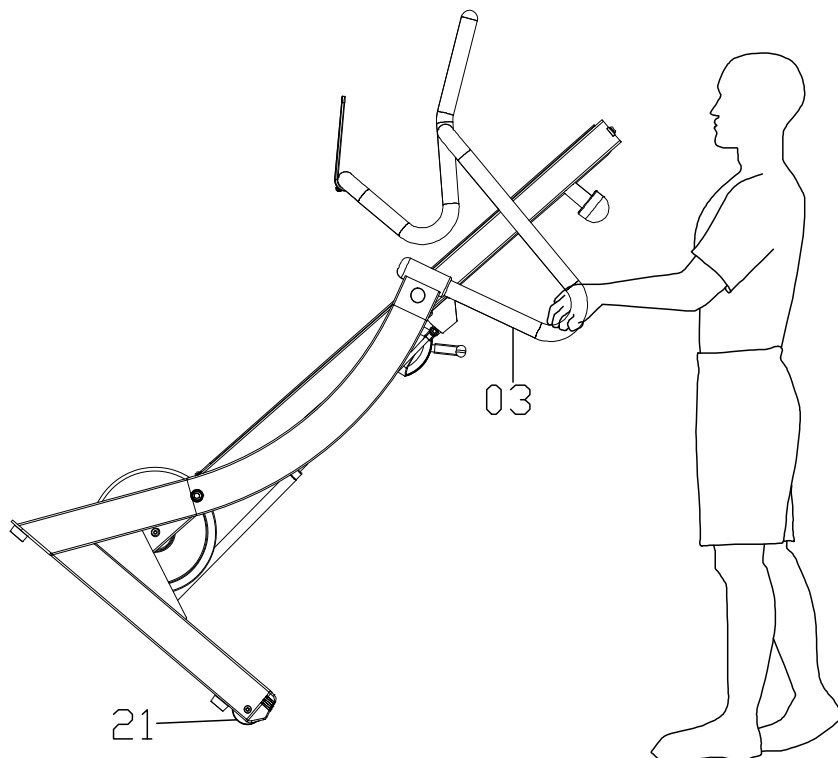
Push **Main Frame (No. 1)** upward gently.



Make sure the **Three-In-One Bolt (No.13)** catches in the hole on the side of the **Running Board (No. 19)** securely.

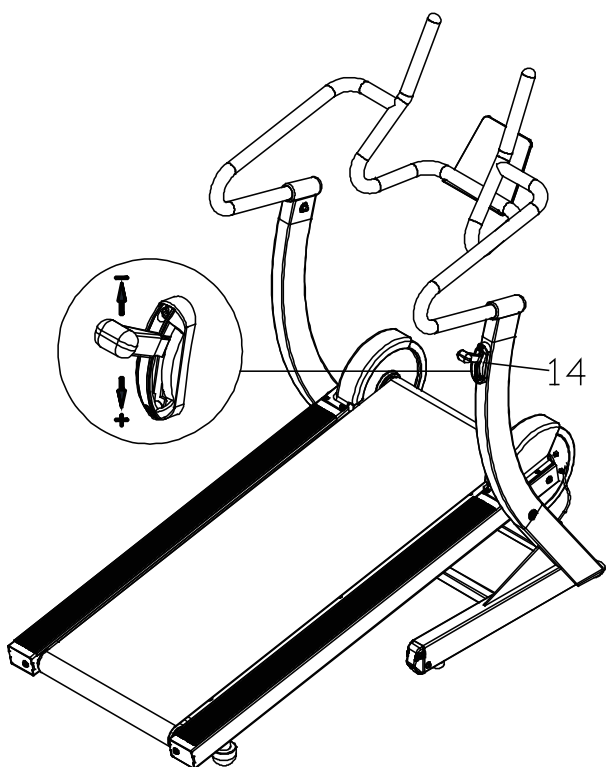
Moving Instructions

Hold **Handrail (No. 3)** at the bend, then tilt the treadmill toward you. when the **Transportation Wheels (No. 21)** touch the ground. You can move the treadmill forward or backward.



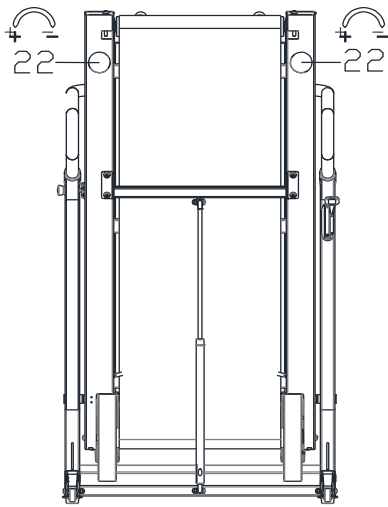
Adjustments Guide

ADJUSTING RESISTANCE



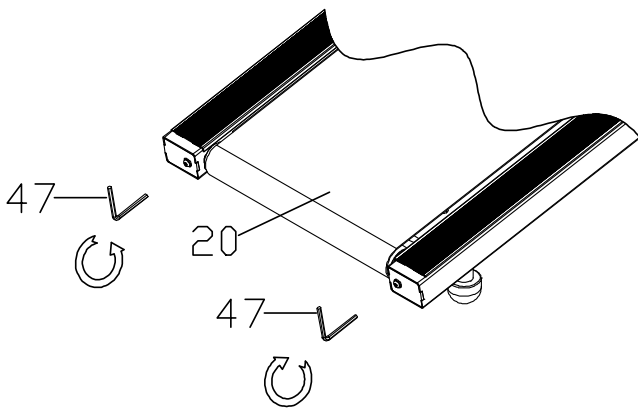
The **Tension Switch (No. 14)** has 8 levels. To increase resistance, move the **Tension Switch (No. 14)** down. To decrease the resistance, move the **Tension Switch (No. 14)** up.

ADJUSTING THE INCLINE

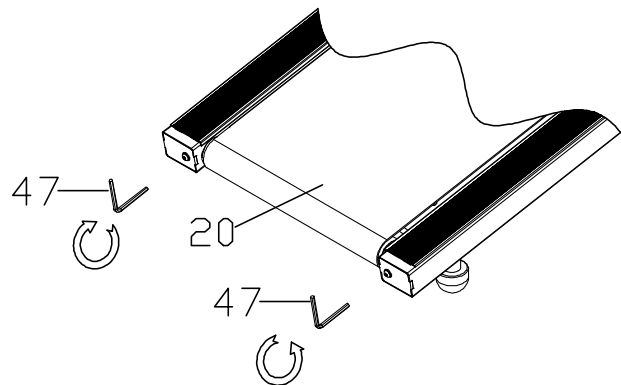


To adjust the incline, fold the treadmill first. Adjust the incline of the treadmill by turning the **Feet Cushions (No. 22)** at the bottom of the treadmill. To increase the incline, turn the **Feet Cushions (No. 22)** *counter-clockwise*. To decrease the incline, turn the **Feet Cushion (No. 22)** *clockwise*. Make sure the treadmill is level before use.

ADJUSTING THE BELT



Picture A



Picture B

Use **Allen Wrench (No. 47)** to adjust the **Running Belt (No. 20)**.

1. If the **Running Belt (No. 20)** deviates to the right, turn the right side adjusting bolt *clockwise* by 1/2 circle, then turn the left side adjusting bolt *counter-clockwise* by 1/2 circle (Refer to Picture A).
2. If the running belt deviates to the left, turn the left adjusting bolt *clockwise* by 1/2 circle, then turn the right side adjusting bolt *counter-clockwise* by 1/2 circle (Refer to Picture B).

Continue adjusting until the treadmill is belt is centered.

Lubrication

*IMPORTANT NOTE:

You will need to lubricate your treadmill before the first use.

RUNNING BELTS & TREADMILL LUBRICANT:

Lubricating the **Running Board (No. 19)** and **Running Belt (No. 20)** is essential as the friction between the two affects the life span and function of the treadmill. It is suggested that the **Running Board (No. 19)** and **Running Belt (No. 20)** be inspected regularly. Should you find any wear on the **Running Board (No. 19)**, please contact us at: support@sunnyhealthfitness.com.

WARNING:

Always unplug the treadmill from the electrical outlet before cleaning, lubricating, or repairing the unit.

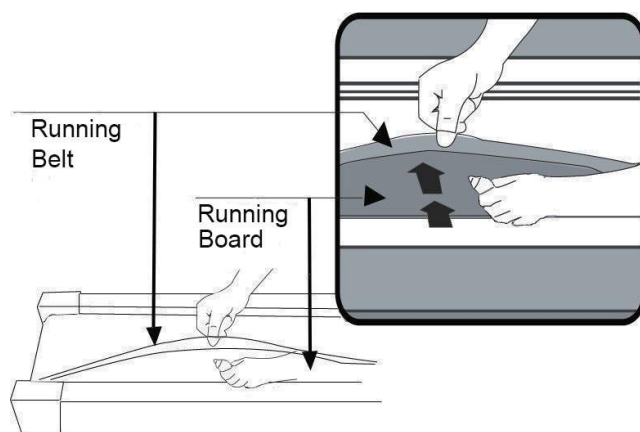
HOW TO LUBRICATE:

Raise the **Running Belt (No. 20)** up on one side and apply lubricant to the **Running Board (No. 19)**. Use a rag to thoroughly wipe the lubricant over the **Running Board (No. 19)**. Repeat this process for the other side.

The moving parts should turn freely and quietly. Abnormal moving parts will affect the safety of the equipment. Inspect and tighten bolts regularly.

To better maintain the treadmill and prolong its lifespan, it is suggested that maintenance be done on a regular basis.

A loose **Running Belt (No. 20)** will result in the runner sliding off during use, while too tight of a **Running Belt (No. 20)** will negatively affect the motor's performance, and also create more friction between the roller and **Running Belt (No. 20)**. The most suitable tightness for the **Running Belt (No. 20)** is pulled out 50-75mm from the **Running Board (No. 19)**.



The following time table is recommended:

Light user (less than 3 hours/week)	every six months
Medium user (3-5 hours/week)	every three months
Heavy user (more than 5 hours/week)	every two months

Version 1.3